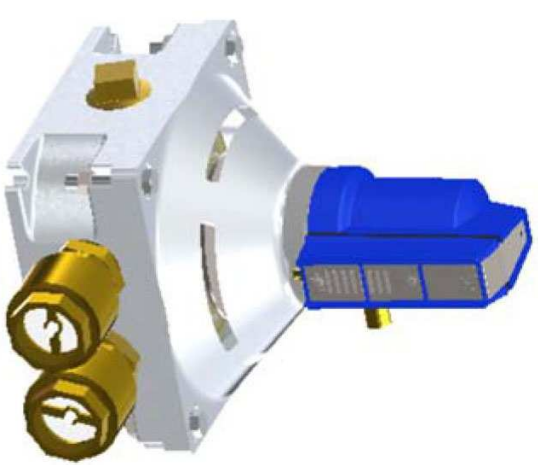


ENVA upgrade

Air operated single diaphragm pump

This clever product with its lube free air motor has been offering reliable service for decades. After user feedback, there has been an upgrade to allow easier plumbing and installation.

Still the same quick knockdown, solids tolerable pump with its dry running and self-priming capability, the new ENVA now has a more compact footprint and multiple porting arrangements that make it more easy to install.



Two 1 ½" spring actuated check valves are supplied with the unit which can be installed in any of four port locations giving the installer flexibility locating the pump relative to the pipe work.

Continuous duty and low air consumption together with its ability to work on any angle and in any orientation makes the ENVA air operated single diaphragm pump a first choice when it comes to

- waste oil transfer
- liquid sump scavenging
- other lightly contaminated liquids

Macnaught offers it 's unbeatable 10 year limited warrantee and 10 year parts guarantee on this fully serviceable, fully Australian made product.

