

positive displacement flow meters

M4 – 1/2" pulse and LC display meters

The M4 is a low to medium flow range model. It is a compact meter that has the ability to handle a wide range of fluid viscosities with exceptional levels of repeatability and durability.

Features

- Compact size.
- Two independent pulse units.
- Flexibility of installation options (e.g. can be mounted horizontally or vertically; no flow conditioning required).
- Low pressure drop allows for economical pump selection or gravity flow applications.
- Meter construction enables fast and easy on-site servicing without removal from application.
- Meter design minimises the number of wearable and replaceable parts and extends product life.
- Meter accuracy is verified by a factory calibration check after which an individual metrology report is issued.
- All LC Displays meet European CE directive for EMC.
- Display/Pulse Version has IP65/NEMA9 protection.
- Intrinsically safe LC Deluxe & Standard Displays. Certificate of conformity number PTB Nr. Ex-93.C.4033x & KEMA 05ATEX1168X

Specification:

Model	M4
Meter Type	Pulse / Standard LC Display / Deluxe LC Display/MR100 Display
Meter Body Material	Aluminium / 316 Stainless Steel / Bronze
Wetted Components:	
Rotor Material	PPS / 316 Stainless Steel
Shafts	316 Stainless Steel
O'ring	NBR (Nitrile)
Flow Rate Ranges (Litres Per Minute/US Gallons Per Minute)	
Above 5 cPs	2 To 30 / 0.5 To 8
Below 5 cPs	3 To 25 / 0.8 To 6.60
Accuracy- Within (Of Reading)	+/- 0.5%
Repeatability	0.03%
Maximum Viscosity (Of Standard Model)	1000 Centipoise (Optional Hi Viscosity Rotors)
Maximum Operating Pressure	5500kpa/ 800 Psi/ 55 Bar
Pulsar Type	
	Hall Effect or
	Reed Switch or
	Combination HE / RS
Pulses Per Litre/Us Gallon	112/424
Max. Operating Temperature	80°C / 176°F, High Temp Option 120°C / 248°F
Recommended Mesh Strainer Size	60 Mesh

*Note: For doubled pulse output or SAA flame proof certification use M5 series models (contact for more info)



M4ARP-X



Standard LC Display



Deluxe LC Display



MR100

Port Size

To order flowmeter you must replace 'X' with the relevant number. This number will determine the following specifications:

Port Size:	Calibrated In:	Electrical Connections
1 = 1/2" BSP (F) ports	Litres	20mm (F) Conduit Thread
2 = 1/2" NPT (F) ports	US Gallons	1/2" NPT

PPS = Polyphenylene Sulfide Resins

Special Models

M4SSPH-X	High Pressure Version
Threaded Versions Only	200 Bar / 2900 PSI Working Pressure

Available Options: Pulse LC Displays - Hi Viscosity Rotors



M4 – 1/2" pulse and LC display meters

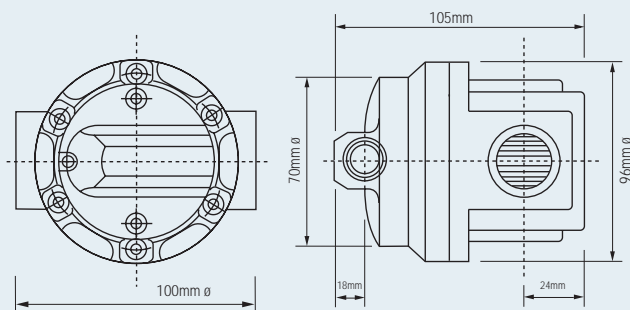
Options and accessories

M4 - 1/2" PULSE AND LC DISPLAY METERS	M4ARX-X	M4ASX-X	M4SRX-X	M4SSX-X	M4BRX-X
FKM O-Ring	○	○	○	○	○
FEP O-Ring	○	○	○	○	○
EPDM O-Ring	○	○	○	○	○
High Temp Rotors	○	●	○	●	○
High Viscosity Rotors	○	○	○	○	○
Hall Effect Sensor	○	○	○	○	○
Reed Switch	●	●	●	●	●
Solvent Kit	-	-	-	-	-
Hastalloy C Shafts	-	-	-	-	-
Protective Boot Deluxe LCD	-	+	+	+	○
Protective Boot Standard Display	-	+	+	+	○
Remote Mounted LC Display	+	+	+	+	+
Heating Jacket	-	-	-	-	-
4-20mA Module (Meter or Remote Mount)	+	+	+	+	+

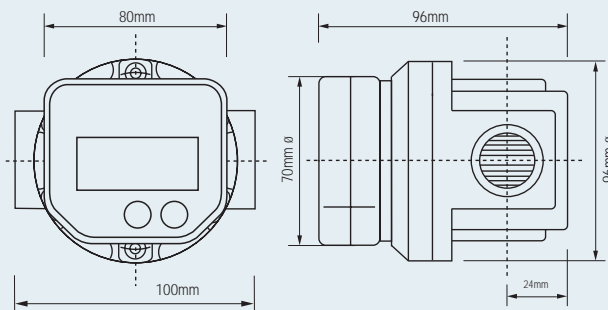
● Standard ○ Optional - Not Available + Accessory

Dimensions

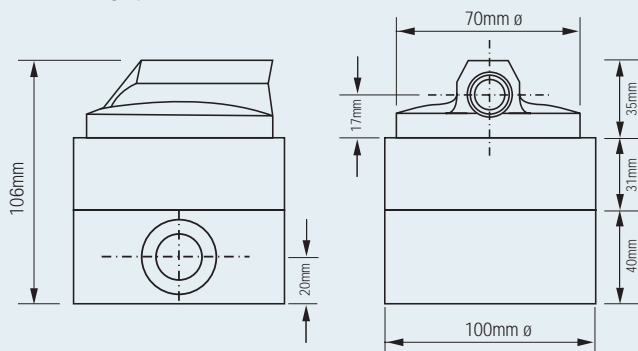
Standard display H 122mm x W 137mm.
Deluxe display H 122mm x W 137mm.



MR100 display H 70mm x W 80mm.



M4SSPH high pressure version



Macnaught Pty Ltd reserves the right to modify or alter product materials, dimensions, design and construction, when necessary, to improve the performance of our products. Please check with your local distributor or Macnaught to confirm current specifications of our products.