

# BG100 BATTERY OPERATED GREASE GUN



## INSTRUCTION MANUAL

### Introduction

Thank you for purchasing a Macnaught BG100 Battery Operated Grease Gun

The Macnaught BG100 Battery Operated Grease Gun has been designed to give continuous greasing and deliver pressures up to 5000 PSI. The pump is suitable for bulk, cartridge or grease pump filling with greases up to NLGI No 2 consistency.

### Important Information

**PLEASE READ THIS SAFETY INFORMATION CAREFULLY BEFORE USE.**

Read and retain this instruction manual to assist you in the operation and maintenance of this product.

'Cautions' are listed throughout this manual to advise of actions to which may cause damage to your equipment.

Failure to follow all instructions listed below may result in electric shock, fire and/or serious injury. The term "power tool" in all of the warnings listed refers to your battery operated (cordless) power tool.

**DO NOT** operate power tools in explosive atmospheres

**DO NOT** modify electrical connections.

**DO NOT** expose power tools to rain or wet conditions.

**DO NOT** use a power tool while you are tired or under the influence of drugs, alcohol or medication.

**ONLY** use this power tool in accordance with the instructions provided.

### Battery Charger Safety Information



#### **WARNING**

120/230/240 volts present at charging terminal.

**DO NOT** probe the unit - Danger of electric shock or electrocution.



#### **WARNING**

If battery-pack case is damaged **DO NOT** insert into charger - Danger of electric shock or electrocution



The battery charger **MUST NOT** be used for any other use than for charging the rechargeable batteries supplied with the BG100.

**DO NOT** expose charger to water.

**DO NOT** place any object on top of charger or on a soft surface that may block the ventilation slots, excessive internal heat may occur.

**DO NOT** operate charger with a damaged power cord or plug, replace immediately.

**DO NOT** operate charger if it has received a sharp blow, or has been dropped. Take it to an authorized service centre.

**DO NOT** disassemble charger.

**DO NOT** store or use the tool and battery pack in locations where the temperature may reach or exceed 40°C/105°F.

**DO NOT** use charger on any other voltage than designated on the charger.

### Battery Pack Safety Information

**NOTE:** Fully charge the battery pack prior to the first usage.

To remove the battery pack from the power tool, firmly press the two buttons on either side on the battery pack and pull the battery pack away from the power tool.

**DO NOT** attempt to open the battery pack.

**ONLY** charge the battery in the charger provided.

**NOTE:** Dispose of depleted batteries Properly. The battery contains rechargeable nickel-cadmium and must be recycled or disposed of properly. Please refer to the local authorities for the correct method of battery disposal.

**DO NOT** incinerate the battery pack. The battery can explode in a fire.

A small leakage of liquid from the battery pack cells can occur under extreme conditions. This does not indicate failure. However, if the outer seal is broken and this leakage gets on your skin:

Wash quickly with soap and water.

If battery liquid gets into your eyes, flush them with clean water for a minimum of 10 minutes and seek immediate medical attention.

### Battery Charging Instructions

Charger is a one hour fast charge. Light on indicates charging, light off indicates fully charged. Remove battery as soon as possible after light turns off.

The charger and battery may become warm to touch while charging.

Do not cover the charger, charge battery pack in direct sunlight or near heat sources.

To install battery into the charger, align rib on battery pack with the notch inside charger and slide battery firmly into place. **DO NOT** force battery into the charger.





### CAUTION

Never attempt to open the battery. The battery is non-repairable.

Never use any other battery other than a genuine Macnaught battery.

### Selecting Follower Position

Grease	Follower Position
Bulk	
Cart- r- idge	

### Grease Filling Procedure

#### Cartridge Fill

- 1) Select the correct Follower Position.
- 2) Unscrew Barrel and "Lock" Follower (Figure 4).
- 3) Pull Follower Rod out until groove in rod can be moved into slot in Barrel End Cap, lock the rod into end cap.

4) Remove both caps from grease cartridge. Insert into barrel, larger open end first. Screw barrel to head tightly.

5) Bleed air from grease (see Figure 5).

#### Bulk Fill

- 1) Select the correct Follower Position.
- 2) Unscrew Barrel and "Lock" Follower (Figure 4).
- 3) Insert the Barrel into grease and slowly pull the Follower Rod out while pushing the Barrel further into grease (see Figure 2).



Figure 2

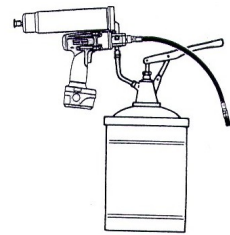


Figure 3

4) When the groove in the rod lines up with the slot in the end cap, lock the rod in the end cap.

5) Wipe excess grease from the outside of the barrel and screw the barrel into the body.

6) Bleed the air from the grease gun (see Figure 5).

#### Using a Macnaught J2 filler pump

- 1) Ensure the follower is set in the 'Bulk' position (see Figure 1).
- 2) 'Lock' the follower to the follower rod (see Figure 4).
- 3) Push the filler/bleeder valve into the J2 pump outlet (see Figure 3).
- 4) Hold the Levergun and pump the J2 handle. The follower rod with slowly move out the back of the barrel because the follower is locked to the rod.
- 5) Stop pumping when the groove in the follower rod is visible. Overfilling can cause grease to by-pass the follower.

#### Locking the Follower

There is a slot in the front face place of the follower that matches with a lug at the end of the follower rod; this allows the rod to lock onto the follower so that the follower can expel air pockets from the grease volume within the grease gun.

To 'Lock' the follower, align the lug in the follower rod to the slot in the follower.

## Bleeding Air from the Grease

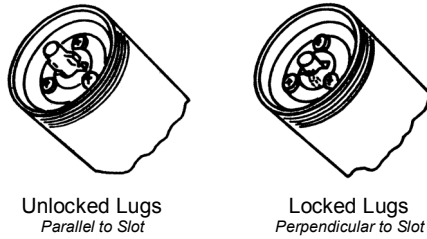


Figure 4

To unlock the follower, gently push and turn the follower rod.

**NOTE:** The most common reason for no grease delivery or slow grease recovery is not bleeding air from the gun correctly.

- 1) Release the follower rod from the end cap.
- 2) Place the follower rod handle on a flat surface.
- 3) Push the grease gun firmly down while holding the filler bleeder valve open (see Figure 5)
- 4) Unlock the follower and push the follower rod

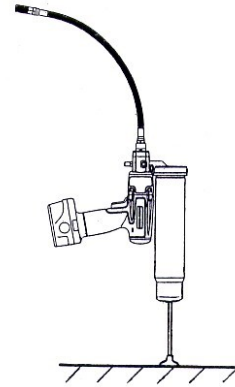


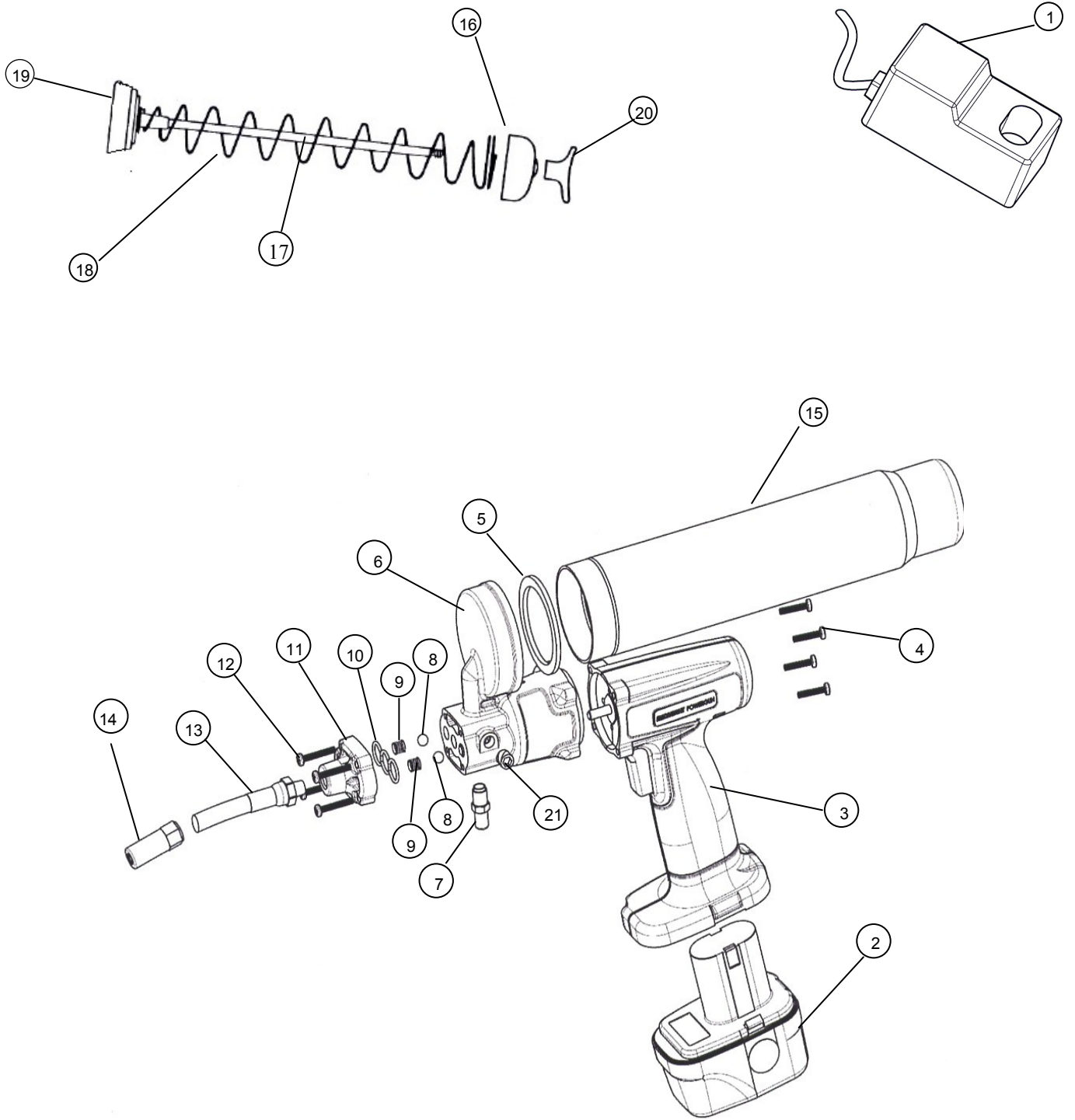
Figure 5

## Troubleshooting Guide

Problem	Cause	Remedy
Gun fails to deliver the correct grease pressure	Dirt under the outlet check valve balls	Clean any dirt or contamination from the pressure relief valve and piston check valves.
	Battery is flat or under charged	Recharge the battery.
	Damaged piston O-Ring	Replace head assembly.
Gun does not operate when the trigger is pressed	Battery is flat or undercharged	Recharge the battery.
	Fault in the electric motor	Replace handle assembly.
	Fault in the wiring	
	Damaged trigger / switch	
No grease delivery	Air in the system	Bleed the air from the Grease.
	Viscosity of the grease is too high	Change grease to NLGI No2 consistency.
	Oil separation of the grease has occurred	Remove and clean the old grease from the barrel or fit a new cartridge of grease.
	Battery is flat or under charged	Recharge the battery.



# Spare Part Diagram



## Spare Part Listing

		Order for Replacement				
		450 gram	400 gram			
Item	No of	Part/Set	Part/Set		Kit Ref	Description
		K27-2K	K14A-1K		B	Follower Kit
1	1	BG307s	BG307s			Battery Charger (Aus)
1	1	BG308s	BG308s			Battery Charger (USA)
1	1	BG309s	BG309s			Battery Charger (Euro)
1	1	BG310s	BG310s			Battery Charger (UK)
2	1	BG304s	BG304s			Battery
3	1	BG300s	BG300s			Handle assembly
4	4	N100s	N100s			Pozi drive screws
5	1	N170s	N171s		B	Seal Washer
6	1	BG200s (BSP)	BG201Bs (BSP)			Head Assembly
6			BG201Ns (NPT)			Head Assembly
7	1	KF85s	KF85s			Filler Bleeder
8	2					9/32" steel balls
9	2		BG209s (incl 12)		BG209s (incl 12)	Check valve springs
10	1					Face seal
11	1	BG202s (incl 10,12)	BG202s (incl 10,12)			Nozzle (BSP)
11	1	BG202Ns (incl 10,12)	BG202Ns (incl 10,12)			Nozzle (NPT)
12	4	N120	N120			Pozi drive screws
13	1	KF52s	KF52s			Flexible Extension (BSP)
13		KF52Ns	KF52Ns			Flexible Extension (NPT)
14	1	KY	KY			Coupler (BSP)
14	1	KY-BC	KY-BC			Coupler (NPT)
15	1		KF110s (incl 5)		KF27s (incl 5)	Barrel
16	1			End cap		
17	1		KF36s (incl 20)		KF35s (incl 20)	Follower rod
18	1			Follower spring		
19	1	K27-2K (incl 5)	K27-2K (incl 5)		B	Follower assembly
20	1	KB16s	KB16s			Pull Handle
21	1	BG214s	BG214s			Seal Plug



**Macnaught Pty Limited**

ABN 66 000 075 785

41-49 Henderson Street  
Turrella NSW 2205 Sydney Australia  
Postal Address PO Box 90  
Amcliffe NSW 2205 Sydney Australia

**T:** +61 2 9567 0401

**F:** +61 2 9597 7773

**W:** [www.macnaught.com.au](http://www.macnaught.com.au)

**For Warranty Terms and Conditions see [macnaught.com.au](http://macnaught.com.au)  
For a list of Australian Service Centres see [macnaught.com.au](http://macnaught.com.au)**